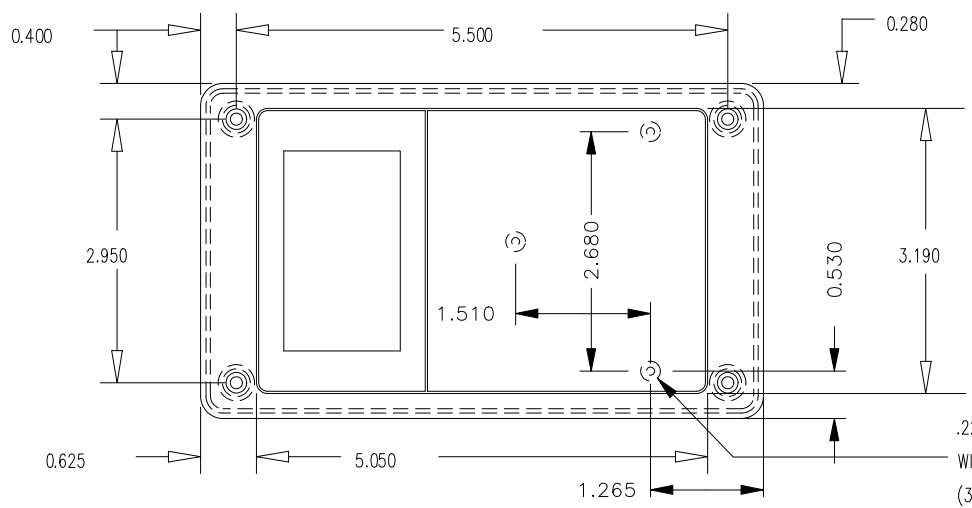
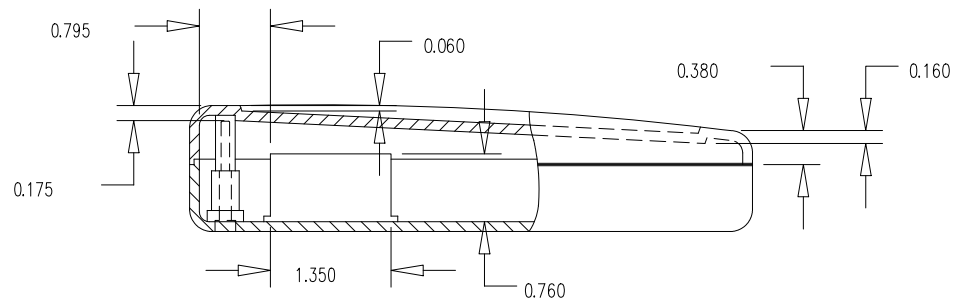
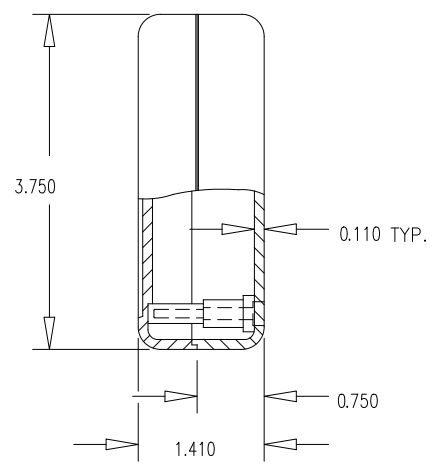
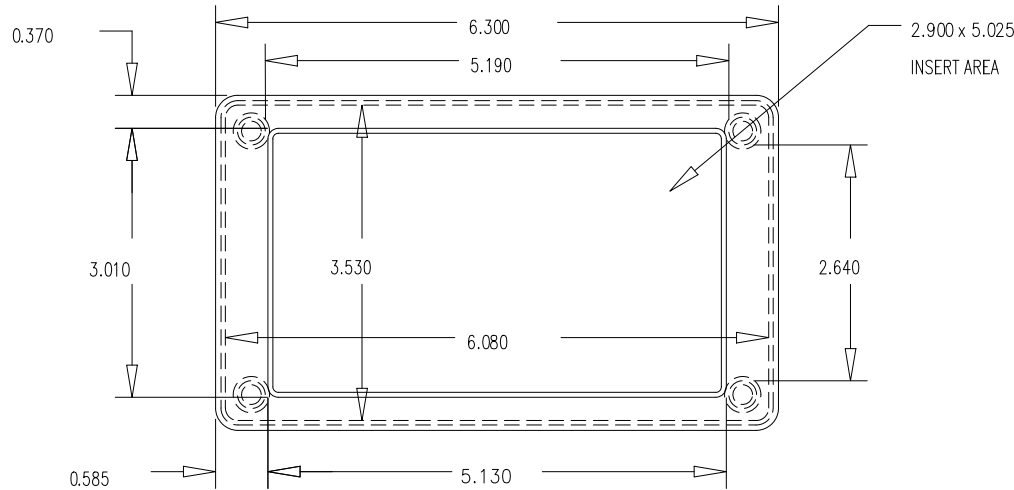


PART  
NAME

DISCOVERY

PART  
No.

36S9VB/B



.220 DIA. BOSS  
WITH .090 DIA. HOLE .145 HIGH  
(3) PLACES.

NOTE: ALL DIMENSIONS HAVE A TOLERANCE OF +/- .010  
UNLESS OTHERWISE SPECIFIED.  
IS 3.500" X 3.900"

IS 3.500 x 3.900.